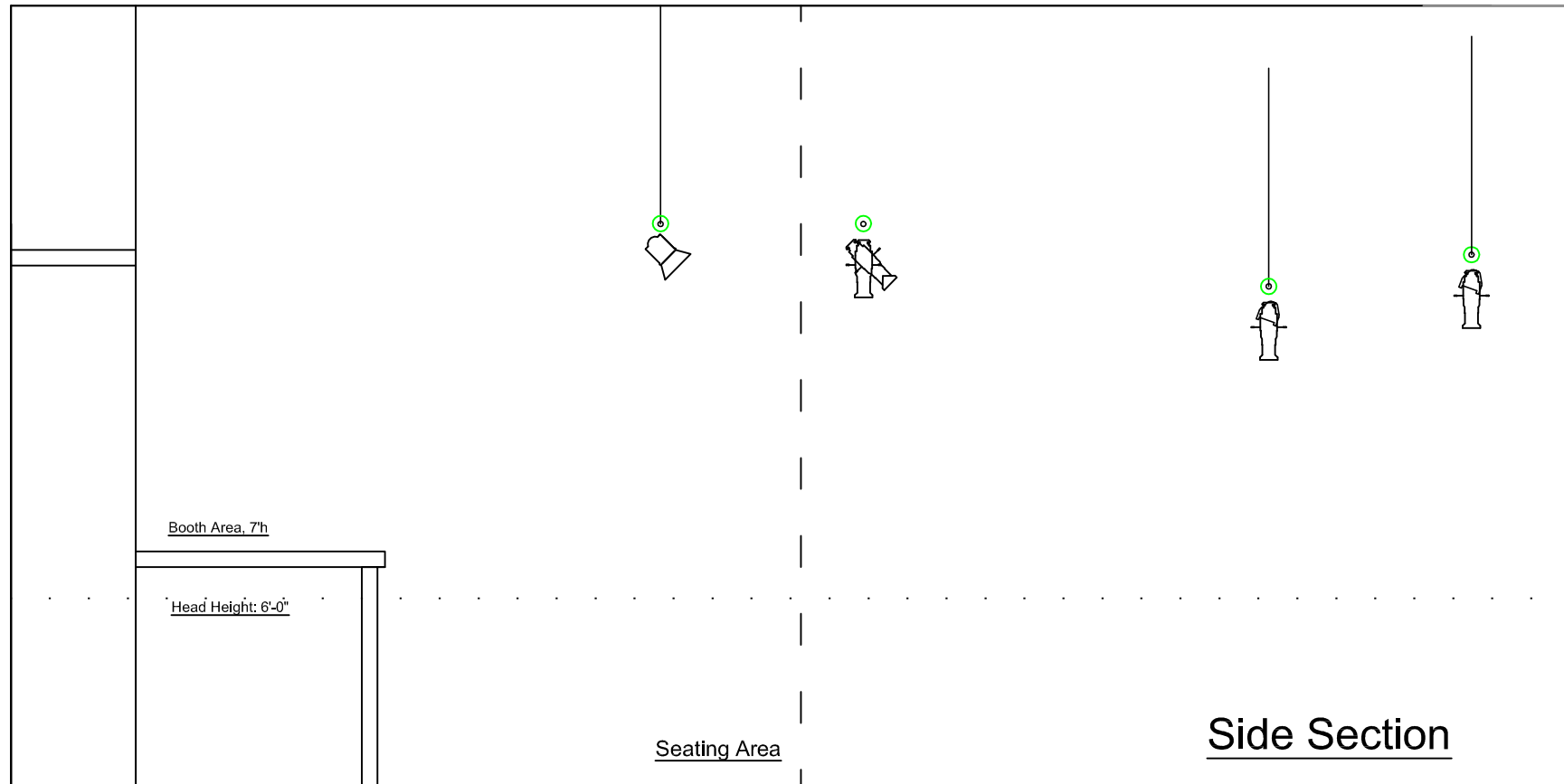


Front Elevation



Side Section

Stage Left

- 1x 4 channel dimmer bar
- 1x DMX port
- 3x VIVID, 3X S4-50
- 3x rolling boom unit

Stage Right

- 1x 4 channel dimmer bar
- 1x DMX port
- 3x VIVID, 3X S4-50
- 3x rolling boom unit

LX4

- 1x 6 channel dimmer bar
- 1x DMX port
- 5x VIVID, 3x S4-36, 2x S4-50
- 2x gobo + holder

LX3

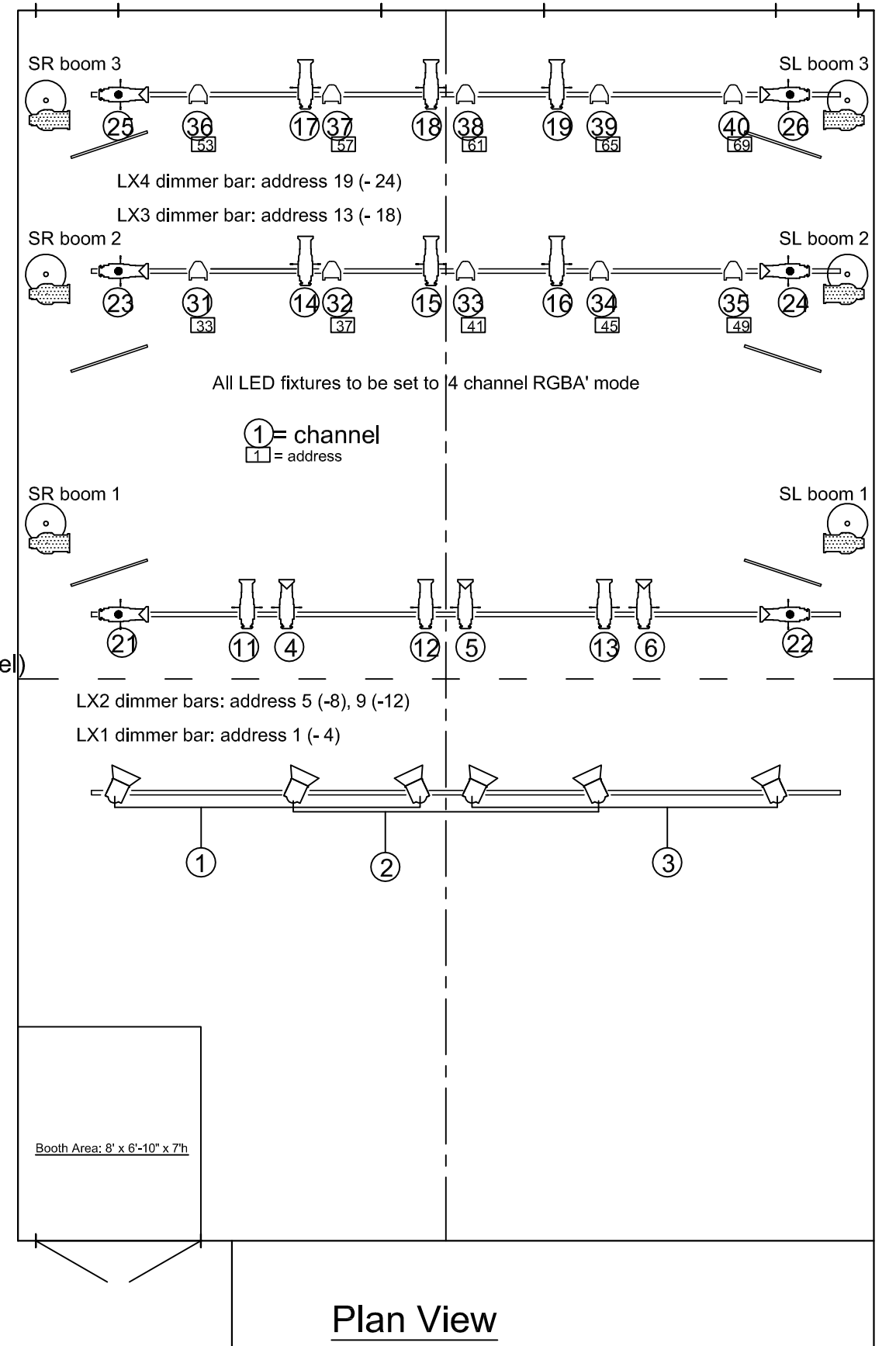
- 1x 6 channel dimmer bar
- 1x DMX port
- 5x VIVID, 3x S4-36, 2x S4-50
- 2x gobo + holder

LX2

- 2x 4 channel dimmer bar
- 1x DMX port
- 5x S4-50, 3x S4-36
- 2x gobo + holder

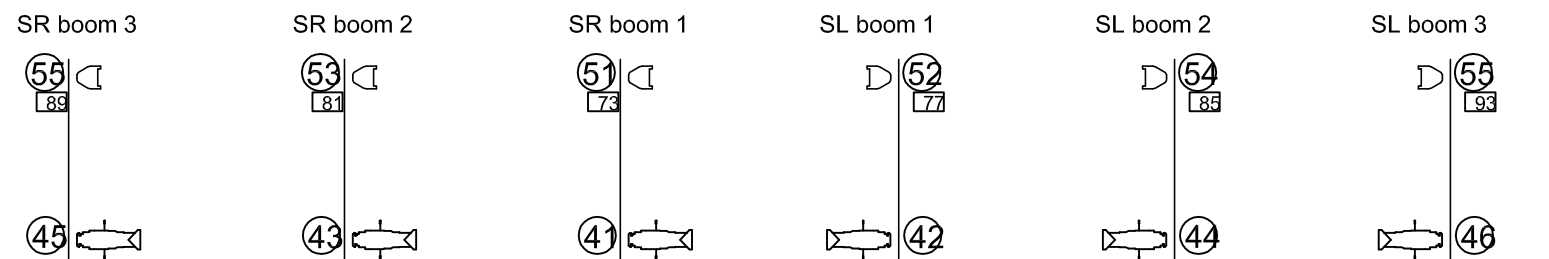
LX1

- 1x 4 channel dimmer bar (1200w per channel)
- 1x DMX port
- 6x 1k 6" Fresnel (500w bulbs)
- 3x twofer



Plan View

SR dimmer bar: 29 (-32) **Boom addressing** SL dimmer bar: 25 (-28)



Sampradaya Dance Studio Theatre

Lighting plot with channeling/addressing

Dwg by Gabriel Cropley, June 8, 2012